

RT4394

ROUGH TERRAIN SERIES

SCISSOR LIFT



KEY SPECS

Platform Height
43-ft (13.11-m)

Machine Width
7-ft 9-in (2.4-m)

Platform Capacity
1,500-lb (680-kg)

Stowed Drive Speed
3.5 mph (5.6 kph)

KEY FEATURES

- Enhanced Stability on Uneven Surfaces - Standard oscillating axle gives you better traction and grade climbing ability
- Smoothen Extension Deployment - platform is designed to shed debris and allows for smoother extension deployment
- Better Serviceability - Fully accessible hydraulic and engine compartments are easier to service
- Pin-based load-sensing system - No weight needed in the platform for calibration

ACCESSORIES & OPTIONS

- 1/2 in. Airline to Platform
- 43.5 lb (19.7 kg) Propane Tank
- Cold Weather Start Kit
- Dual Extension Deck
- Flashing Amber Beacon
- Leveling Jacks
- Pipe Rack Accessory
- Platform Worklights
- SkyPower®
- SkyPower with SkyWelder
- Workstation

STANDARD SPECIFICATIONS

Performance

Platform Height - Elevated	43-ft / 13.11-m
Platform Capacity	1,500-lb / 680-kg
Capacity on Platform Extension	500-lb / 227-kg
Number of Occupants	6
Lift / Lower Time	45/42 seconds
Maximum Drive Height	Fully Elevated
Weight w/One Extension*	14,300-lb / 6,486-kg
Ground Bearing Pressure	83 psi
Drive Speed	3.5 mph / 5.6 km/h
Gradeability	45%
Max Tilt Rating - Side-to-Side	3 Degrees
Max Tilt Rating - Fore and Aft	5 Degrees
Turning Radius - Inside	8-ft 10.5-in / 2.7-m
Turning Radius - Outside	19-ft 5.5-in / 5.9-m

* Certain options or country standard will increase weight.

Engine

Dual Fuel - Kubota WG972	31 hp / 23.2 kW
Diesel Fuel - Kubota D1305	24.8 hp / 18.5 kW
Fuel Tank Capacity	22 gal. / 83.3 L

Tires

Standard	12-in x 16.5-in Foam-filled
----------	-----------------------------

Brakes

Rear Wheel	Spring Applied
------------	----------------

Hydraulic System

Capacity	32 gal. / 121.4 L
----------	-------------------

STANDARD FEATURES

- 110V-AC Receptacle in Platform
- 4 ft (1.22 m) Manual Deck Extension
- 4-Wheel Drive
- 70.5 x 149.8-in (1.8 x 3.8-m), All Steel Platform with Aluminum Deck
- Adjustable, Removable Platform Control Station
- All Motion Alarm
- Automatic Transmission
- Fold-Down Handrails
- Horn
- Oscillating Axle
- Proportional Drive/Lift Up/Lift Down
- Three-speed Drive Select
- Tilt Light and Alarm

RT4394

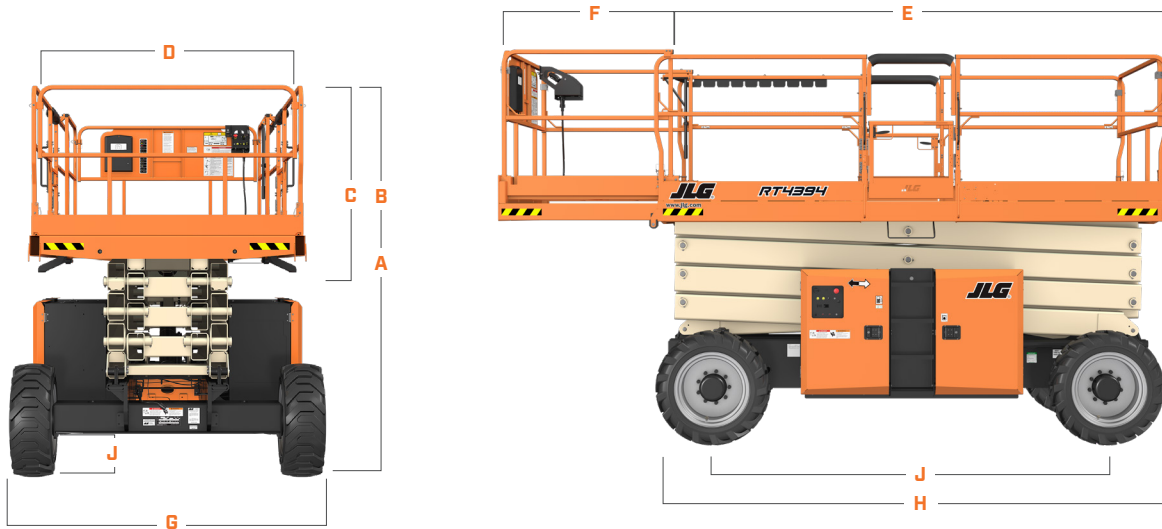
ROUGH TERRAIN SERIES

SCISSOR LIFT



DIMENSIONS

All dimensions are approximate



A. Platform Height – Elevated	43-ft / 13.1-m	F. Platform Extension	4-ft / 1.2-m
B. Platform Height – Lowered	6-ft 5-in / 1.8-m	G. Overall Width	7-ft 9-in / 2.4-m
C. Platform Railing Height	3-ft 7.5-in / 1.1-m	H. Overall Length	16-ft / 4.9-m
D. Platform Width	70.5-in / 1.8-m	I. Wheelbase	9-ft 9-in / 3.0-m
E. Platform Length	149.8-in / 3.8-m	J. Ground Clearance	13.6-in / 34.5-cm



We provide coverage for one (1) full year, and cover all specified major structural components for five (5) years. Due to continuous product improvements, we reserve the right to make specification and/or equipment changes without prior notification. This machine meets or exceeds applicable ANSI and CSA requirements based on machine configuration as originally manufactured for intended applications. Please reference the serial number plate on the machine for additional information.



JLG INDUSTRIES, INC.
Toll-free US 877-JLG-LIFT
JLG.com

An Oshkosh Corporation Company