

TB80/TB86J

LARGE TELESCOPIC BOOM LIFTS



- Robust diesel telescopic boom lifts
- Available with and without a jib boom
- Powerful 4 wheel drive and 4 wheel steer
- Excellent performance on rough terrain
- Designed for construction applications

 **snorkel**™

www.snorkellifts.com

LARGE TELESCOPIC BOOM LIFTS TB80/TB86J

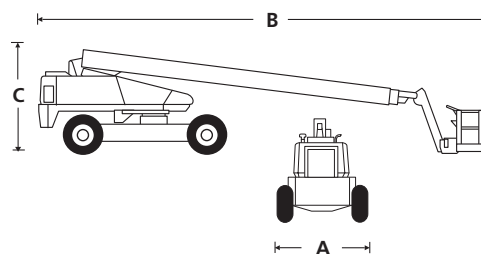
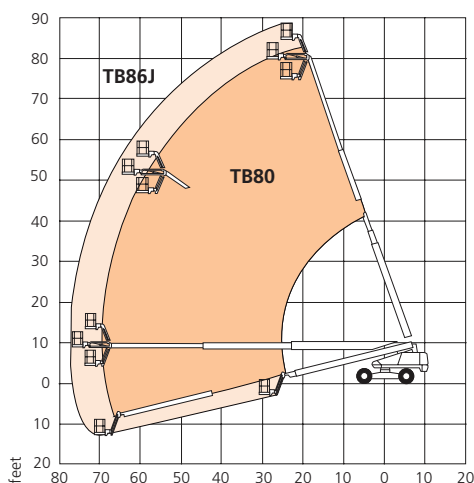
DIMENSIONS	TB80	TB86J
Max. working height	86 ft	92 ft
Max. platform height	80 ft	86 ft
Max. horizontal reach	71 ft 2 in	78 ft 3 in
Platform size	8 ft x 3 ft	8 ft x 3 ft
Overall width (A)	8 ft 6 in	8 ft 6 in
Overall length (B)	38 ft 8 in	42 ft 3 in
Stowed height (C)	9 ft 6 in	9 ft 6 in
Ground clearance	13 in	13 in

PERFORMANCE	TB80	TB86J
Platform capacity	500 lbs	500 lbs
Max. drive height	80 ft	86 ft
Max. wind speed	28 mph	28 mph
Max. drive speed (stowed)	3 mph	3 mph
Max. drive speed (elevated)	0.6 mph	0.6 mph
Jib length	n/a	6 ft 6 in
Jib working arc	n/a	135°
Platform rotation	170°	150°
Superstructure rotation (continuous)	360°	360°
Tailswing	78.5 in	78.5 in
Raise/lower time	195/175 seconds	230/210 seconds
Gradeability	40%	40%
Inside turning radius	7 ft 10 in	7 ft 10 in
Outside turning radius	15 ft 6 in	15 ft 6 in
Tires	15 x 625 foam filled lug	
Controls	proportional joystick	
Drive system	4 wheel drive	

POWER	
Power source	Kubota V2403 65hp diesel - Tier 4 Final

WEIGHT	TB80	TB86J
Weight	36,332 lbs	38,690 lbs

WORKING ENVELOPE



STANDARD FEATURES

- Snorkel Guard™ secondary guarding system
- Four wheel drive, steer and crab steer
- Hydraulic platform rotation
- 360° continuous turntable rotation
- Drive motion alarm
- Flashing amber light
- Foam filled lug tires
- Proportional drive, boom lift, swing & extend
- Rheostat control for jib & platform level
- Power line to platform
- 5° tilt alarm
- Tri-entry platform
- Dual lanyard attachment points
- Hour meter & on-board diagnostics display
- Horn
- 2 year parts & labor, 5 year structural warranty
- ANSI compliant

OPTIONS

- Special paint colors
- Airline to platform
- AC generator 110V/240V 2kW
- Non-marking tires
- Cold weather package
- Extreme cold weather package
- Extreme environment package
- Light package
- Tow kit
- Dual fuel
- Glazier package
- Utility package
- 12kW generator package
- 12kW generator/welder package
- Environmental hydraulic oil
- Tool tray

snorkel

www.snorkellifts.com

P.O. Box 1160
 St. Joseph, MO 64502-1160, USA
 Tel: 1 (785) 989-3000
 Toll-free: 1 (800) 255-0317
 Fax: 1 (785) 989-3070
 Email: sales.usa@snorkellifts.com